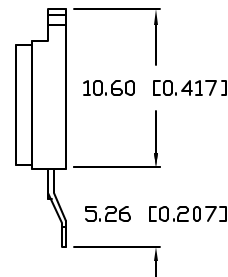
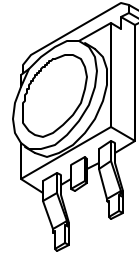
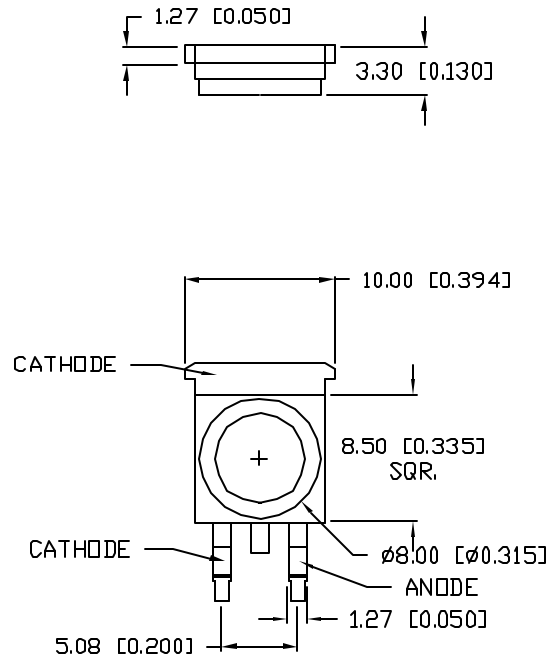


UNCONTROLLED DOCUMENT

PART NUMBER  
SML-LX1610SYC/A

REV.



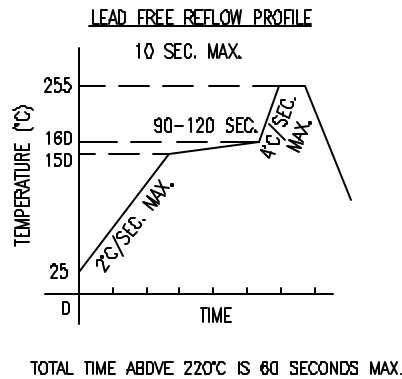
ELECTRO-OPTICAL CHARACTERISTICS  $T_A=25^\circ\text{C}$   $I_f=350\text{mA}$

PARAMETER	SYMBOL	MIN	TYP	MAX	UNITS	TEST COND
PEAK WAVELENGTH			592		nm	
FORWARD VOLTAGE	$V_f$		2.1	3.2	V	$I_f=350\text{mA}$
REVERSE VOLTAGE	$V_r$	5			V	$I_f=10\mu\text{A}$
AXIAL INTENSITY(*1)	$I_v$		22		lm	$I_f=350\text{mA}$
VIEWING ANGLE			110		2x theta	
EMITTED COLOR:	YELLOW					
EPOXY LENS FINISH:	WATER CLEAR					

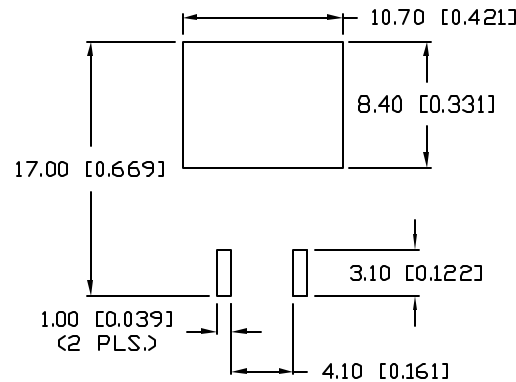
LIMITS OF SAFE OPERATION AT 25°C

PARAMETER	SYMBOL	MAX	UNITS
PULSE FORWARD CURRENT	$I_p$	400	mA
STEADY CURRENT	$I_F$	350	mA
POWER DISSIPATION	$P_D$	1.1	W
OPERATING TEMP.	$T_{OPR}$	-20 TO +70	°C
STORAGE TEMP.	$T_{STG}$	-40 TO +85	°C

\*DUTY 1/10 PULSE WIDTH 10ms



SOLDER PAD LAYOUT



CAUTION: STATIC SENSITIVE DEVICE  
FOLLOW PROPER E.S.D. HANDLING PROCEDURES  
WHEN WORKING WITH THIS PART.



NOTES:

1. 50 PCS. IN EACH TUBE.

UNCONTROLLED DOCUMENT

\*UNLESS OTHERWISE SPECIFIED TOLERANCES PER DECIMAL PRECISION ARE: X=±1 (±0.039), XX=±0.5 (±0.020), XXX=±0.25 (±0.010), XXXX=±0.127 (±0.005). LEAD SIZE=±0.05 (±0.002), LEAD LENGTH=±0.75 (±0.030), MIN=+DECIMAL PRECISION MAX.=+0.00 -DECIMAL PRECISION

REV.

PART NUMBER

SML-LX1610SYC/A

10.60 x 10mm HIGH POWER LED, 590nm YELLOW LED.

CONFIDENTIAL INFORMATION

THE INFORMATION CONTAINED IN THIS DOCUMENT IS THE PROPERTY OF LUMEX INC. EXCEPT AS SPECIFICALLY AUTHORIZED IN WRITING BY LUMEX INC, THE HOLDER OF THIS DOCUMENT SHALL KEEP ALL INFORMATION CONTAINED HEREIN CONFIDENTIAL AND SHALL PROTECT SAME IN WHOLE OR IN PART FROM DISCLOSURE AND DISSEMINATION TO ALL THIRD PARTIES.

RELIABILITY NOTE

OUR MANY YEARS OF EXPERIENCE DATA ACCUMULATION INDICATE THAT SOLDER HEAT IS A MAJOR CAUSE OF EARLY AND FUTURE FAILURE. PLEASE PAY ATTENTION TO YOUR SOLDERING PROCESS.



290 E. HELEN ROAD  
PALATINE, IL 60067-6976  
PHONE: +1.847.359.2790  
US WEB: www.lumex.com  
TW WEB: www.lumex.com.tw

DRAWN BY:

CHECKED BY:

APPROVED BY:

DATE: 8.31.06

JD

PAGE: 1 OF 1

SCALE: N/A